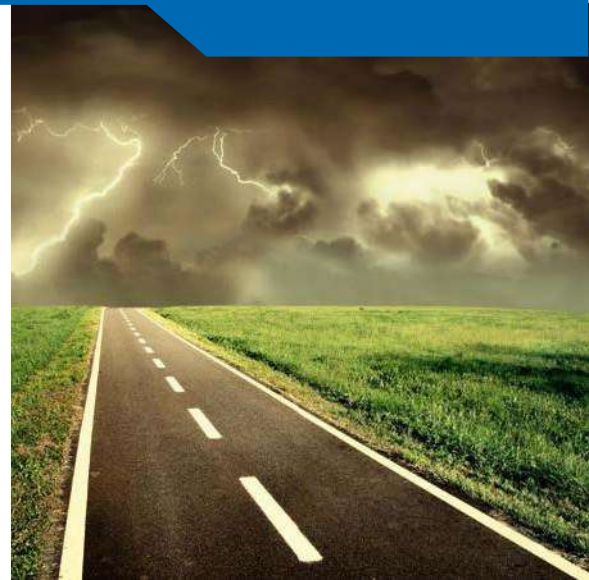


SOLUTION

Electromobility
Surge protection of charging stations



Nowadays, environmental awareness and cleanliness of the environment are emphasized. The field fitting well with this trend – Electromobility – is therefore developing very quickly. In order to lower emissions into the atmosphere, the number of vehicles with combustion engines is reduced by replacing them by electric vehicles. These trends involve the necessary development of a sufficiently large network of charging stations with safe and reliable operation. The safe and reliable operation can be ensured by proper overvoltage protections. Charging station can be stand-alone or located within a building (garage). This material is primary concerned with stand-alone stations. Stations located in buildings will be protected according to standard rules. You can find these rules in our guide – Surge protection of LV systems.

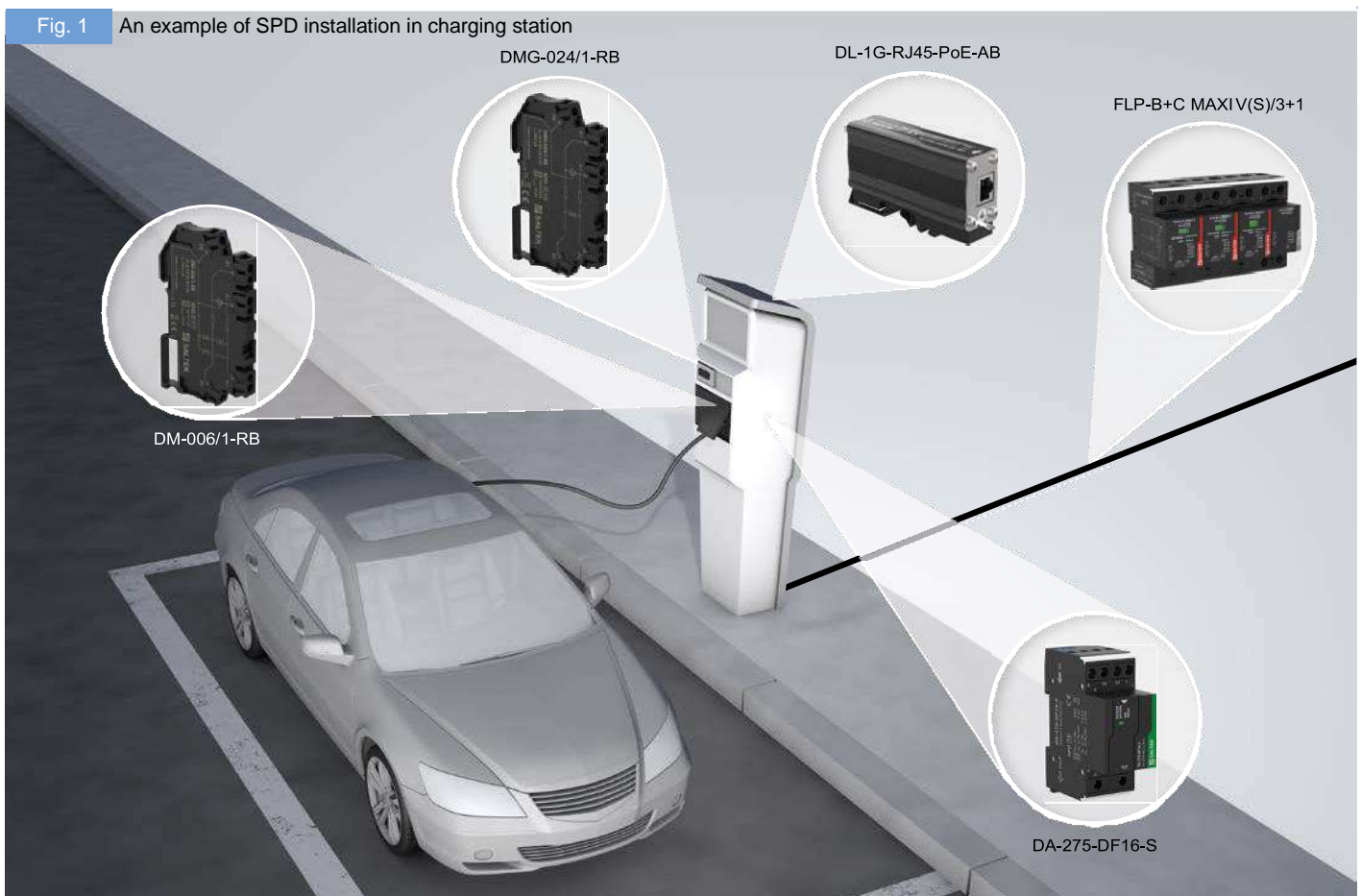
Why to Protect?

Due to direct and indirect lightning strikes, lightning electromagnetic pulses (LEMPs) of up to several thousands of volts can be superposed in the grid of the charging station by the induction or the direct galvanic interconnection. Similar overvoltage phenomena of a lower energy can also occur in installations with large inductive loads in form of switching electromagnetic pulses (SEMPs).

These overvoltage pulses can damage the charging station, or even the connected, just charging vehicle. For this reason, charging stations should be equipped with an appropriate overvoltage protection to reduce the risk of damage of various devices included in the charging station. The cost of the overvoltage protection is only a fraction of the purchase price of the protected equipment.

What to Protect?

- Rectifier for the DC charging output
- Rectifier for powering the control unit
- Battery – in case of charging station with energy accumulation
- Communication between the control unit and the charging connector (e.g. RS-485)
- Signal from the charging connector (e.g. temperature measurement)
- Communication between antenna and control unit (e.g. Ethernet) for data cable longer than 1 m



Some of the charging stations have the possibility of accumulating energy. For these types of stations surge protection system does not change.

Fig. 2 Block diagram of the charging station

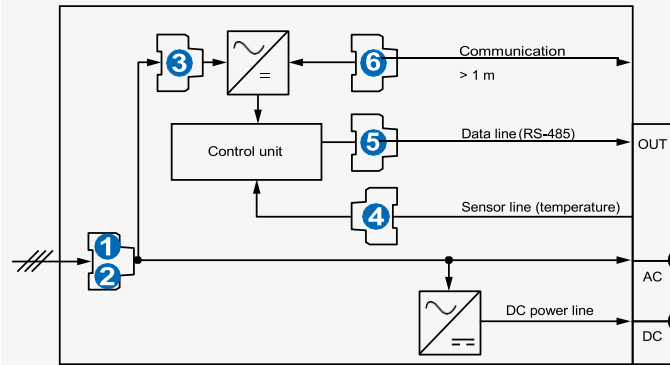
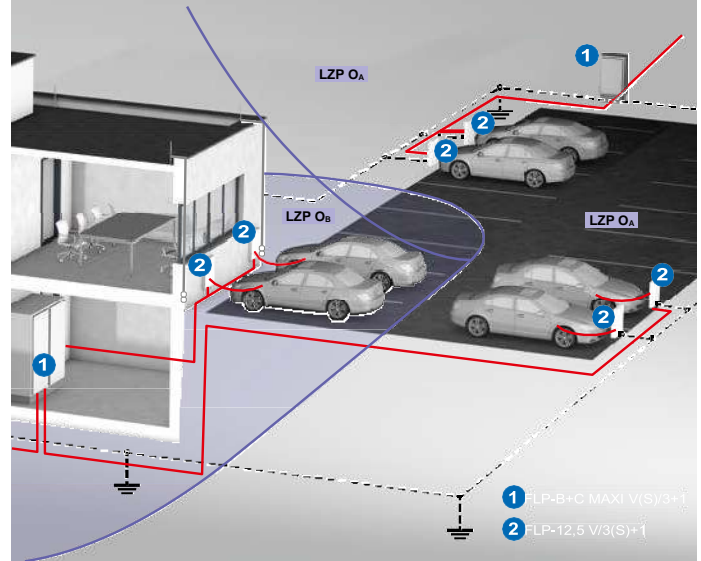


Fig. 3 SPD selection by lightning protection zones



Recommended SPDs for charging stations

1 FLP-B+C MAXI V(S)/3+1

Three-pole combined high performance lightning current arrester. The use for external wiring at the beginning of installation.

| Connection | Suitable networks | U_c | I_{imp} (10/350 μ s) | I_n (8/20 μ s) | I_{max} (8/20 μ s) | Remote signalling | Ordering number |
|------------|-------------------|-------|----------------------------|----------------------|--------------------------|-------------------|-----------------|
| 3+1 | TN-S, TT | 260 V | 25 kA | 30 kA | 60 kA | Yes | A03572 |

2 FLP-12,5 V/3(S)+1

Three-pole combined high performance lightning current arrester. The use for the cable inlet in the ground.

| Connection | Suitable networks | U_c | I_{imp} (10/350 μ s) | I_n (8/20 μ s) | I_{max} (8/20 μ s) | Remote signalling | Ordering number |
|------------|-------------------|-------|----------------------------|----------------------|--------------------------|-------------------|-----------------|
| 3+1 | TN-S, TT | 275 V | 12.5 kA | 30 kA | 60 kA | Yes | A03428 |

3 DA-275-DF16-S

Overvoltage protection of the type 3 with an integrated noise-suppressing RF filter.

| Connection | Suitable networks | U_c | I_L | I_n (L+N-PE) (8/20 μ s) | U_{oc} (8/20 μ s) (L+N-PE) | Remote signalling | Ordering number |
|------------|-------------------|-------|-------|-------------------------------|----------------------------------|-------------------|-----------------|
| Symmetric | TN, TT | 275 V | 16 A | 5 kA | 25 V | Yes | A05722 |

4 DMG-024/1-RB

Two-stage overvoltage protection of signal lines (e.g. temperature).

| Location | Number of lines | U_c | I_L | I_n (C2) | U_p (C3) core-core | Floating | Ordering number |
|----------|-----------------|-------|-------|------------|----------------------|----------|-----------------|
| ST 2+3 | 1 | 25 V | 0.5 A | 5 kA | 25 V | Yes | A06062 |

5 DM-006/1-RB

Two-stage overvoltage protection of signal lines (e.g. RS-485).

| Location | Number of lines | U_c | I_L | I_n (C2) | U_p (C3) core-core | Floating | Ordering number |
|----------|-----------------|----------|-------|------------|----------------------|----------|-----------------|
| ST 2+3 | 1 | 8.5 V DC | 0.5 A | 5 kA | 12 V | No | A06057 |

6 DL-1G-RJ45-PoE-AB

Two-stage Ethernet overvoltage protection combined with supply protection over this line. For cable longer than 1 m.

| Location | Network type | U_c (line/supply) | I_L (line/supply) | I_n (C2) (8/20 μ s) | U_p (C3) core-core | U_p (C3) core-PE | Ordering number |
|----------|--------------|---------------------|---------------------|---------------------------|----------------------|--------------------|-----------------|
| ST 1+2+3 | 1G | 8.5 / 58 V DC | 0.5 / 1.5 A | 0.15 kA | 60 / 90 V | 500 V | A06148 |

Sales and technical support:

SALTEK TRADE s.r.o.

Vodňanská 1419/226
198 00 Praha 9 – Kyje
Czech Republic
Phone: +420 272 942 470
E-mail: trade@saltek.cz
www.saltek.eu/en

Manufacture and headquarter:

SALTEK s.r.o.

Drážďanská 85
400 07 Ústí nadLabem
Czech Republic
Phone: +420 475 655 511
Fax: +420 475 622 213
E-mail: info@saltek.cz
www.saltek.eu

Distributor:



Australia – U SA – Colombia – Costa Rica
www.intransitda.com

Email: sales@intransitda.com